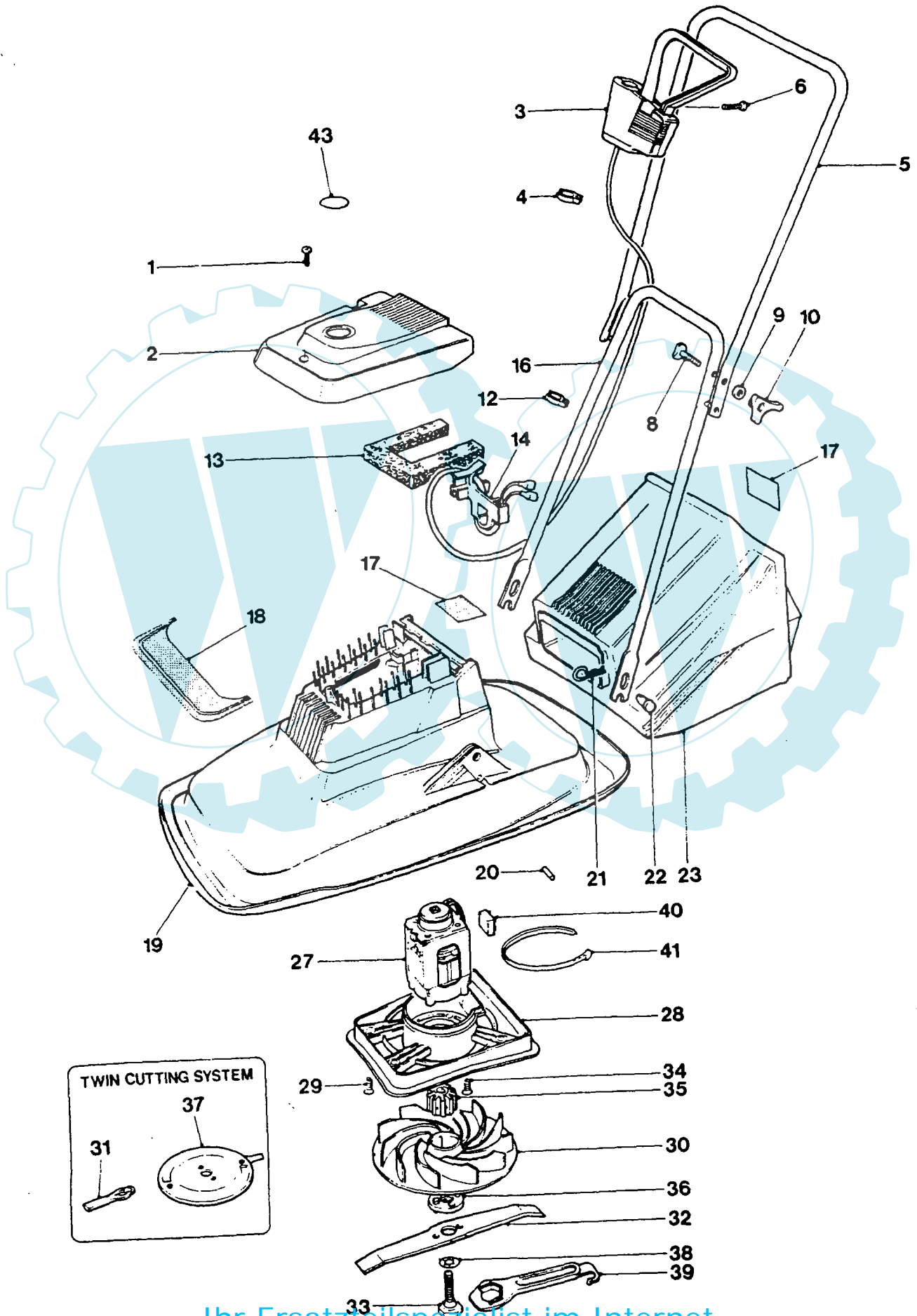


Flymo

XE300-11 9633025 9633026



Flymo

XE300-11 9633025 9633026

| KEY | PART NUMBER | DESCRIPTION | QUANTITY | APPLICATION |
|-----|--------------|----------------------------|----------|-------------------------------|
| 01 | 5146736-00/3 | Screw,high/low | 1 | |
| 02 | 5126281-08/0 | Cover assembly | 1 | GB,EI. |
| | 5126281-09/8 | Cover assembly | 1 | |
| 03 | 5126891-16/6 | Switchbox | 1 | GB,EI. |
| | 5126901-38/7 | Switchbox | 1 | S. |
| | 5126901-39/5 | Switchbox | 1 | D. |
| | 5126901-40/3 | Switchbox | 1 | A,B,F,NL,E,P,I. |
| 04 | 5137750-00/5 | Cable clip | 1 | |
| 05 | 5126816-02/3 | Handle/label assembly | 1 | GB,EI. |
| | 5126242-03/0 | Handle,upper | 1 | |
| 06 | 5148552-01/0 | Screw,3.5mm self tapping | 2 | |
| 08 | 5140607-00/2 | Handle bolt,1/4unc x 45mm | 2 | |
| 09 | 5140266-00/7 | Washer,M6 | 2 | |
| 10 | 5140690-00/8 | Wing knob | 2 | |
| 12 | 5137750-00/5 | Cable clip | 1 | |
| 13 | 5137638-00/2 | Filter | 1 | |
| 14 | 5126741-00/7 | Clamp,plastic | 1 | |
| 16 | 5117082-00/7 | Handle,lower | 1 | |
| 17 | 5146467-00/5 | Label,warning | 1 | GB,EI. |
| | 5137964-00/2 | Label,warning | 1 | E,P,I. |
| | 5136708-01/2 | Label,warning | 1 | A,B,F,NL. |
| | 5136507-00/0 | Label,warning | 1 | D. |
| | 5148371-00/7 | Label,warning | 1 | S. |
| 18 | 5126885-00/2 | Label,Flymo | 1 | |
| 19 | 5126819-01/9 | Hood,30cm | 1 | |
| 20 | 5147594-00/5 | Pin | 2 | |
| 21 | 5140423-00/4 | Retaining pin | 2 | |
| 22 | 5140092-00/7 | Pivot pin | 2 | |
| 23 | 5117079-03/7 | Grassbox | 1 | |
| 27 | 5150007-01/0 | Motor,240v | 1 | GB. |
| | 5150007-02/8 | Motor,220v | 1 | |
| 28 | 5106491-00/3 | Motor mounting plate | 1 | |
| 29 | 5146736-00/3 | Screw,high/low | 4 | |
| 30 | 5116967-10/9 | Impeller | 1 | |
| 31 | 5148257-02/4 | Plastic cutter | 2 | |
| 32 | 5126439-00/8 | Blade,30cm | 1 | |
| 33 | 5137608-00/5 | Blade bolt c/w PTFE washer | 1 | |
| 34 | 5148122-01/2 | Screw,plastite 10 x 19mm | 4 | |
| 35 | 5126764-00/9 | Insert,plastic | 1 | |
| 36 | 5136668-01/8 | Blade spacer | 3 | |
| 37 | 5126734-00/2 | Disc assembly,30cm | 1 | |
| 38 | 5148259-00/4 | PTFE washer | 1 | |
| 39 | 5126682-00/3 | Spanner/scrapper | 1 | |
| 40 | 322814-00/5 | Rectifier | 1 | |
| 43 | 5137855-00/2 | Label,autostop | 1 | |
| 44 | 5126240-00/0 | Cable runner | 1 | EI,D,DK,N,I.(Not illustrated) |
| 45 | 5147793-00/3 | Clip | 2 | D,DK,N,I.(Not illustrated) |
| 500 | 5127090-05/7 | Mains cable | 1 | GB,EI.(Not illustrated) |

A Austria; AUS Australia; B Belgium; CND Canada; CH Switzerland; D Germany; DK Denmark; E Spain; EI Eire; F France; GB Great Britain; Italy; N Norway; NL Netherlands; NZ New Zealand; O/S Overseas; P Portugal; S Sweden; SF Finland; USA America; ZA South Africa:

WHERE NO APPLICATION DETAILS ARE SHOWN,PART APPLIES TO ALL COUNTRIES

| | | | |
|------------|-----------|------------|-----------|
| 9633025-01 | GB. | 9633026-72 | A,B,F,NL. |
| 9633026-18 | EI. | 9633026-78 | D. |
| 9633026-24 | A,B,F,NL. | 9633026-79 | S. |

Ihr Ersatzteilspezialist im Internet